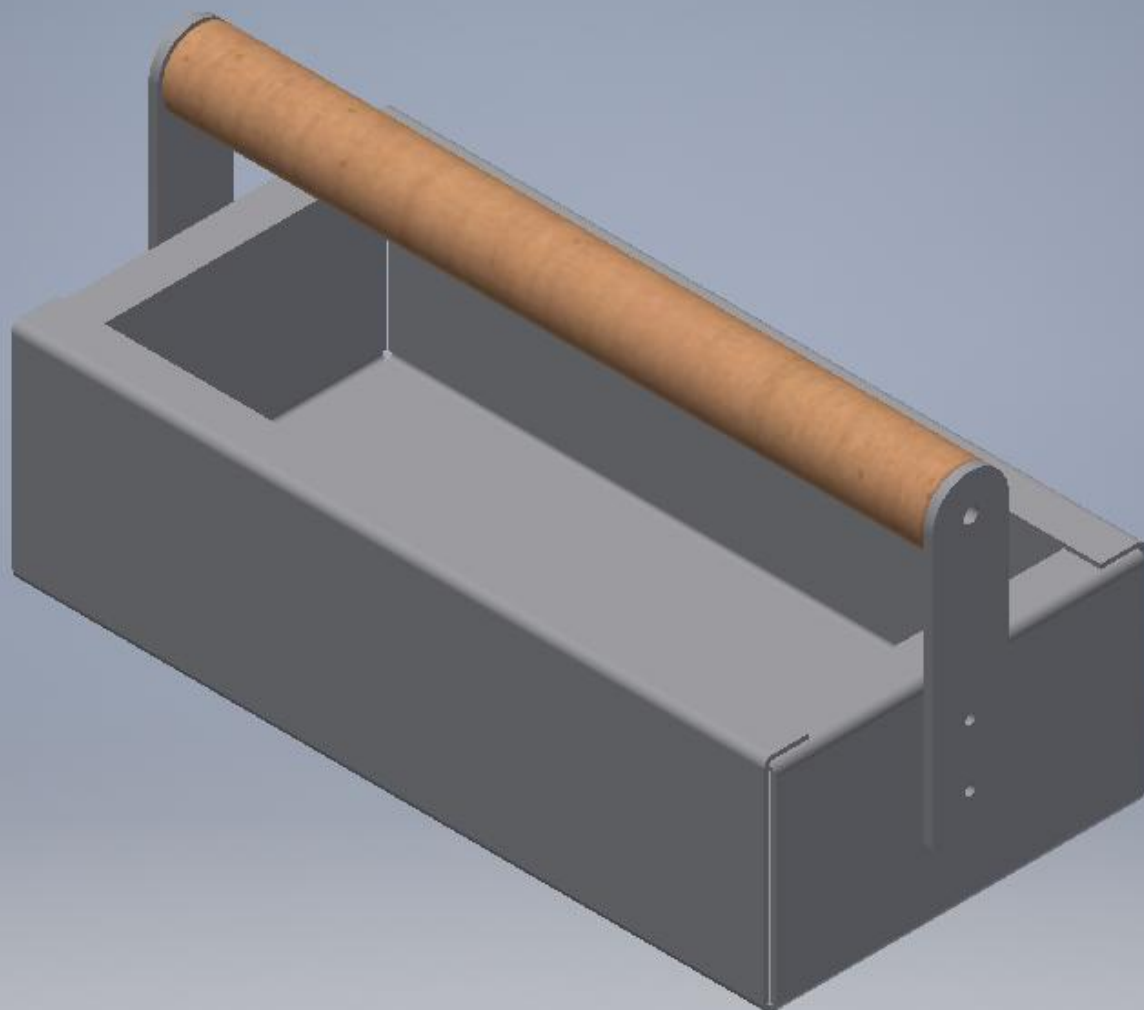
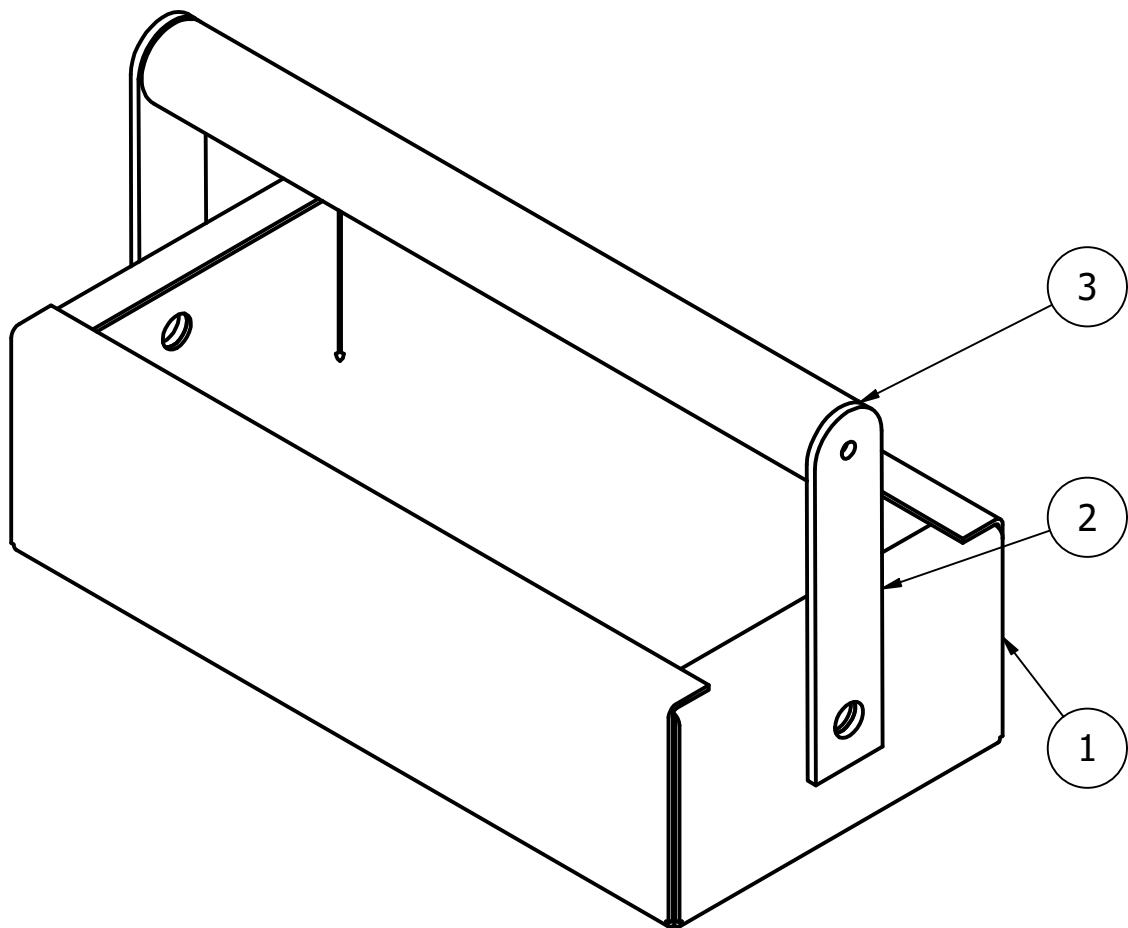
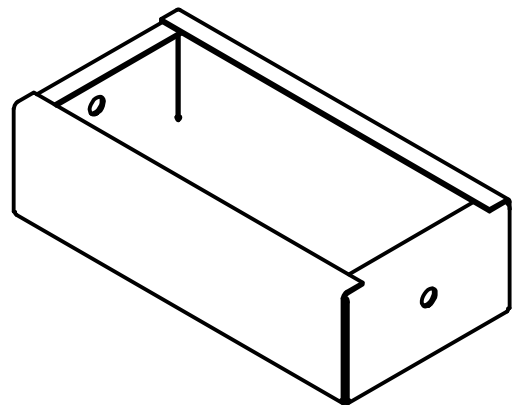
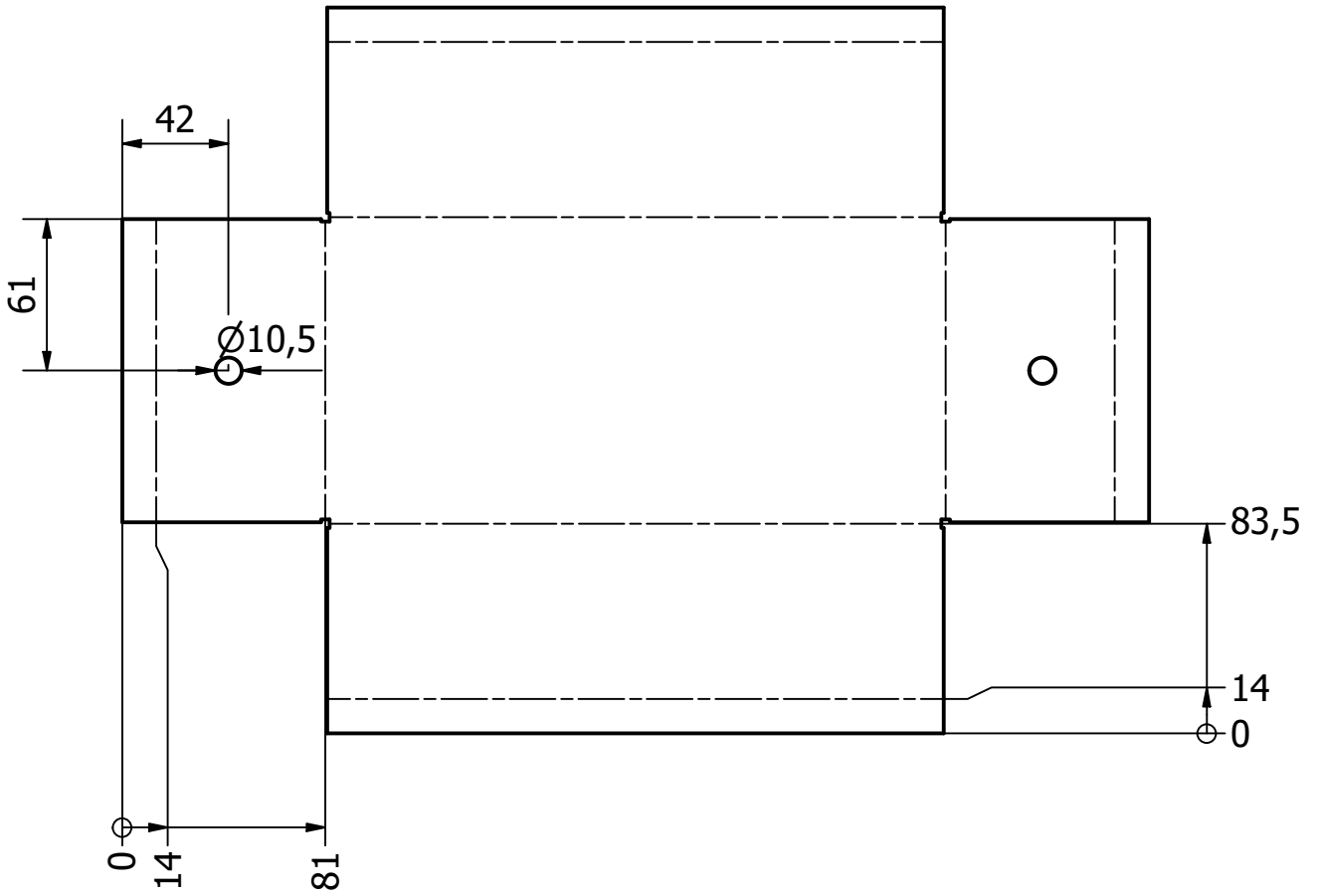


Værktøjskasse

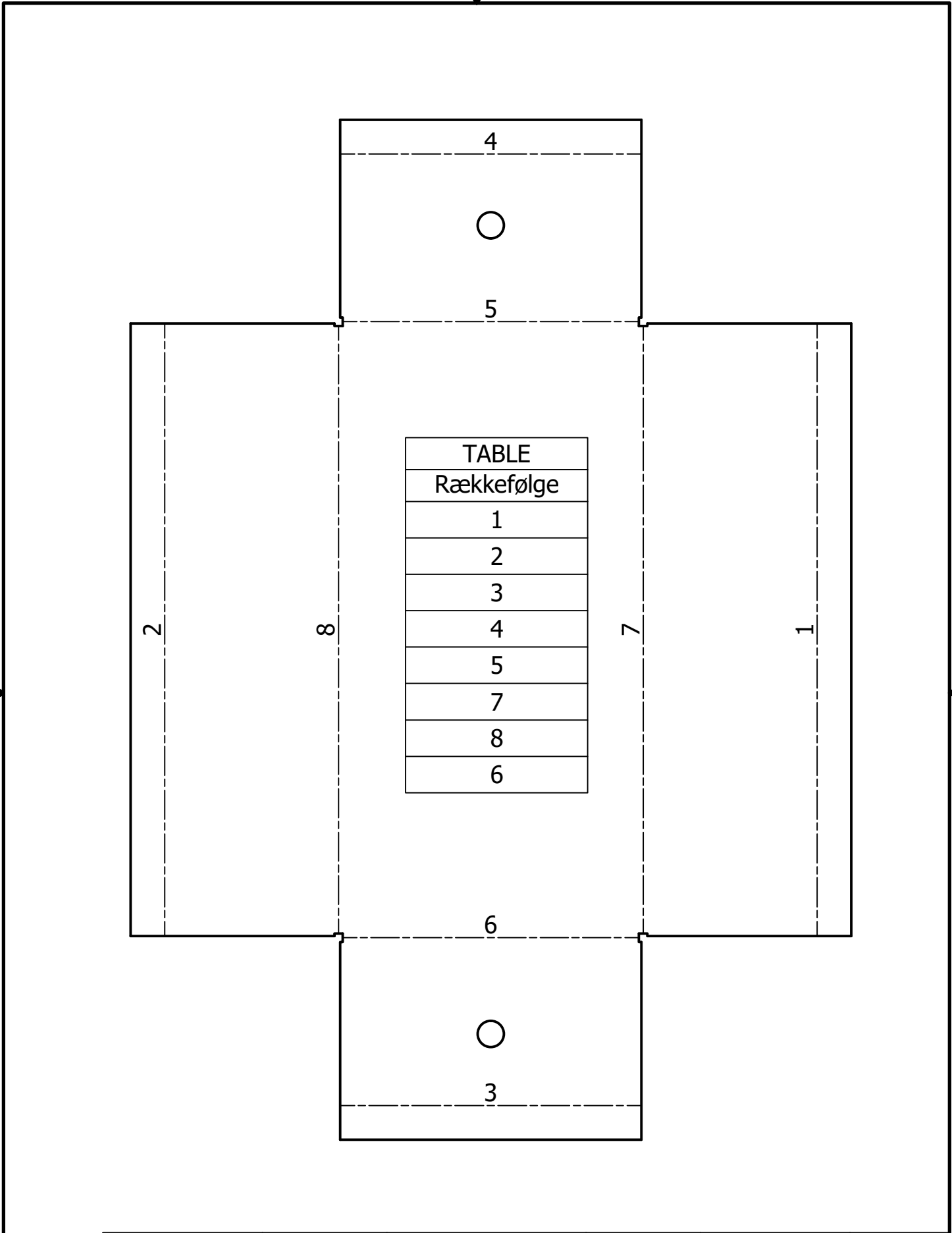




PARTS LIST			
ITEM	QTY	PART NUMBER	DESCRIPTION
1	1	svøb	1,5 mm plade
2	2	beslag	3 mm plade
3	1	skaft	træ
Designed by jka	Checked by	Approved by	Date 21-08-2019
UCRS		tegningsæt	
		Edition	Sheet 2 / 5



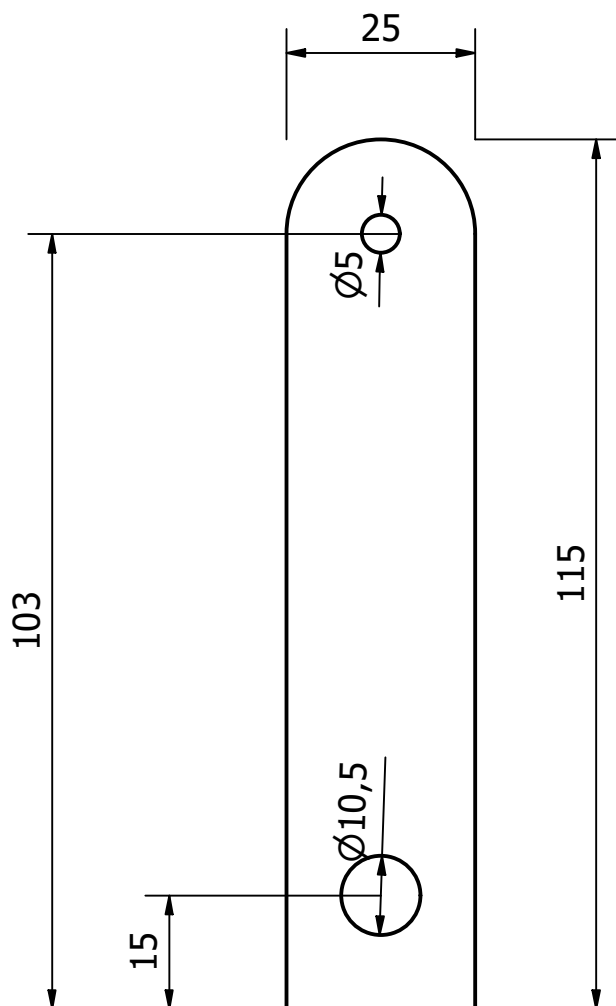
Designed by jka	Checked by	Approved by	Date	Date 21-08-2019	
UCRS			tegningssæt		
			Edition	Sheet 3 / 5	



Designed by jka	Checked by	Approved by	Date	Date 21-08-2019	
UCRS			tegningssæt		
			Edition	Sheet 4 / 5	



Hullerne skal placeres i midten af pladen



Designed by jka	Checked by	Approved by	Date	Date 21-08-2019	
UCRS			tegningssæt		
			Edition	Sheet 5 / 5	